
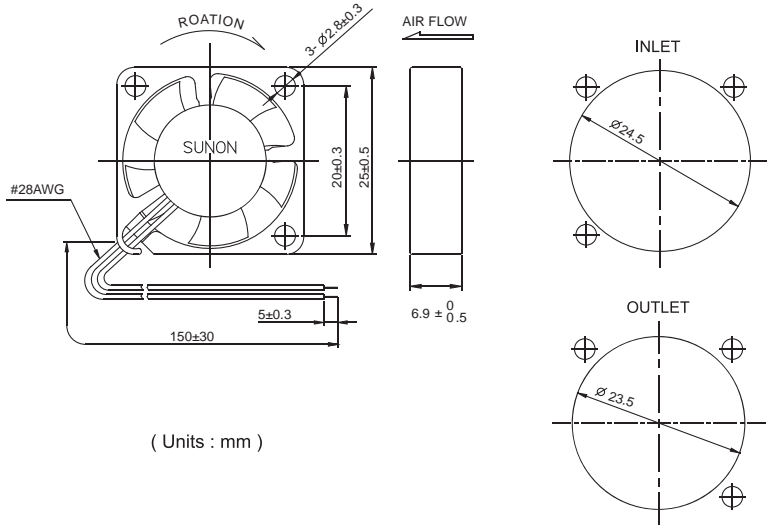
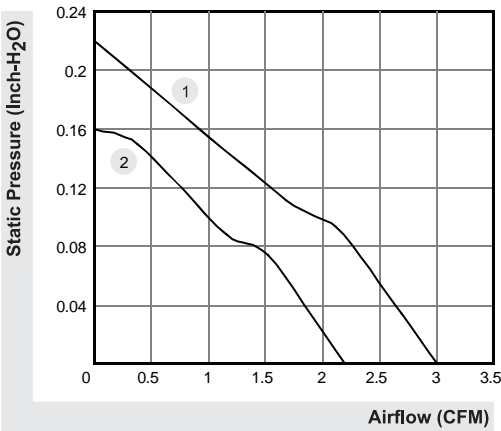


25x25x6 mm

2.2~3.0 CFM



	Bearing	Rating Voltage (VDC)	Power Current (mA)	Power Consumption (WATTS)	Speed (RPM)	Air Flow (CFM)	Static Pressure (Inch-H <sub>2</sub> O)	Noise (dBA)	Weight (g)	Curve
	MC25060V1-0000-A99	● VAPO	5	115	0.58	13000	3.0	0.22	31.0	5.0
MC25060V2-0000-A99	●	5	75	0.38	10000	2.2	0.16	23.0	5.0	2



\*All model could be customized. Please contact with Sunon Sales.  
 \*Specifications are subject to change without notice. Please Visit SUNON web site at <http://www.sunon.com> for update information.